

Lampade GEMHR / GEMHR Lamps

Alluminio anodizzato, fissaggio integrato ruotabile 160° - Anodized aluminum, 160° rotatable mounting integrated

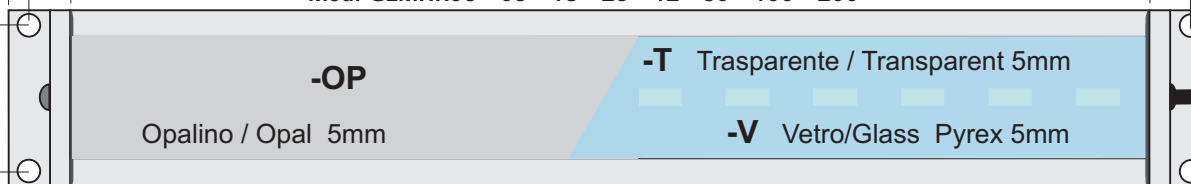
Mod. GEMHR	Lunghezza Length	N° Led	Moduli base integrati 6 led Standard modules 6 integrated Led	Tensione alimentazione Supply voltage	Corrente alimentazione standard Standard supply current	Potenza assorbita Power consumption	Flusso luminosità generata tipica Typical luminous flux	illuminazione tipica a 50 cm Typical 50 cm Lighting	Range temperatura lavoro Working temperature range
GEMHR05-6K-85-OP GEMHR05-6K-85-T GEMHR05-6K-85-V	05 cm.	5	1 (GE285)	24Vdc +/- 10%.	85 mA	2,0 W	180 lumen	80 lux 140 lux 140 lux	Da -35(no frost) a +55°C
GEMHR09-6K-OP GEMHR09-6K-T GEMHR09-6K-V	09 cm.	6	1		120 mA	2,9 W	300 lumen	120 lux 360 lux 360 lux	
GEMHR18-6K-OP GEMHR18-6K-T GEMHR18-6K-V	18 cm.	12	2		230 mA	5,4 W	600 lumen	220 lux 670 lux 670 lux	
GEMHR25-6K-OP GEMHR25-6K-T GEMHR25-6K-V	25 cm.	18	3		340 mA	8,2 W	900 lumen	330 lux 920 lux 920 lux	
GEMHR42-6K-OP GEMHR42-6K-T GEMHR42-6K-V	42 cm.	30	5		570 mA	13,7 W	1500 lumen	490 lux 1400 lux 1400 lux	
GEMHR50-6K-OP GEMHR50-6K-T GEMHR50-6K-V	50 cm.	36	6		680 mA	16,4 W	1800 lumen	580 lux 1670 lux 1670 lux	
GEMHR100-6K-OP GEMHR100-6K-T GEMHR100-6K-V	100 cm.	72	12		1360 mA	32,8 W	3600 lumen	680 lux 2300 lux 2300 lux	
GEMHR200-6K-OP GEMHR200-6K-T GEMHR200-6K-V	200 cm.	144	24		2720 mA	65,6 W	7200 lumen	880 lux 2600 lux 2600 lux	

Fissaggio integrato ruotabile 160°
160° rotatable mounting integrated



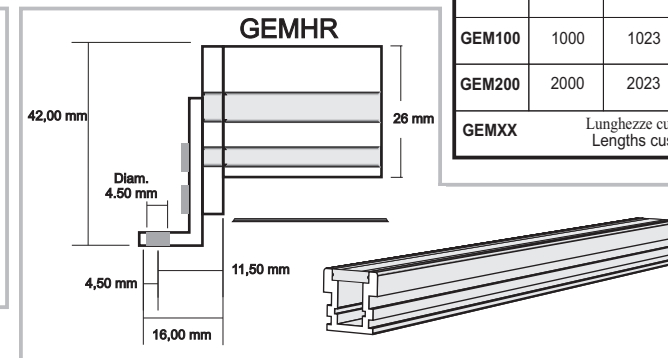
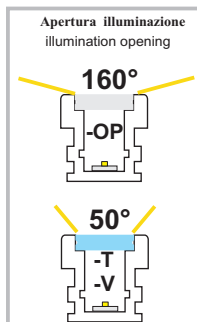
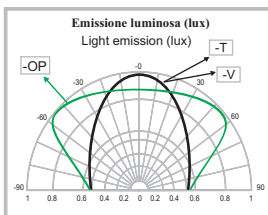
18mm
26mm

Mod. GEMHR05 - 09 - 18 - 25 - 42 - 50 - 100 - 200



C	Ingombro complessivo Overall size
B	Interesse fissaggio fixing interest
A	Taglio profilo Profile cutting

Mod.	A (mm)	B (mm)	C (mm)
GEM05	50	73	82
GEM09	90	113	122
GEM18	177	200	209
GEM25	247	270	279
GEM42	420	443	452
GEM50	498	521	530
GEM100	1000	1023	1032
GEM200	2000	2023	2032
GEMXX	Lunghezze custom Lengths custom		



Normative / Standards	
Immunità elettromagnetica - EMC immunity :	EN 61547:2009
Emissione elettromagnetica - EMC emission :	EN 55015:2006
Rischio fotobiologico - Photobiologic risk :	EN 62471:2010 GLS: RISK EXEMPT
Assessment of lighting equipment related to human exposure to electromagnetic fields	EN 62493:2010

Design & Production
Made in Italy
CE



V. Bachelet, 3/A - 41057 Spilamberto - MODENA -
Genesi Elettronica srl Tel. 059785566 - info@genesi-lux.it - www.genesi-lux.it



Lampada Led / Led lamp

- Alimentazione: 24 Vdc
Supply: 24Vdc
- Grado di protezione: IP67
Protection degree: IP67
- Uso illuminazione interni - esterni
Use lighting internal - external
- Illuminatore sistemi ispezione con telecamere
Ulight camera inspection system

Opzioni GEMHR / GEMHR Options

Ex. Code : GEMXX-YY-CCC-WW1-WW2-WW3

Code GEMHR			
Lunghezza lampada Lamp length	Colore Led Led Color	Corrente per Led Current for Led	Varianti e opzioni Variants and options
XX	YY	CCC	WW

-WW1 Moduli integrati controllo Led Integrated control module led	
-DIM1	Dimmer integrato 1 Via Integrated dimmer 1-way
-DIM2	Dimmer integrato 2 Via Integrated dimmer 2-way
-AS5	Amplificatore e Controllo impulso accensione, solo uso Impulsivo. Amplifier and pulse ignition control, use only Impulsive

Lunghezza lampada Lamp length	
GEMHR05	5 cm
GEMHR09	09 cm
GEMHR18	18 cm
GEMHR25	25 cm
GEMHR42	42 cm
GEMHR50	50 cm
GEMHR100	100 cm
GEMHR200	200 cm
GEMHRXX	custom

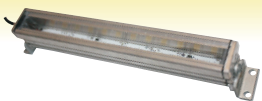
Colori Colours	
-6K <small>STANDARD</small>	Bianco freddo 6000K 6000K Cold white
-4K	Bianco Naturale 4000K 4000K Natural white
-3K	Bianco Caldo 3000K 3000K Warm white
-R625	Rosso/Red 625 nm
-B470	Blu 470nm
-Y591	Giallo/Yellow 591 nm
-G524	Verde/Green 524 nm
-IR730	IR 730 nm
-IR850	IR 850 nm
-IR950	IR 950 nm
-UV405	Ultravioletti 405 nm
-YY	custom

Corrente per Led Current for led	
- <small>STANDARD</small>	120mA per Led 120mA for Led
-20	20mA per Led 20mA for Led
-40	40mA per Led 40mA for Led
-85	85mA per Led 85mA for Led
-300	300mA per Led uso impulsivo 300mA for Led impulsive use T ON max 1/10
-400	400mA per Led uso impulsivo 400mA for Led impulsive use T ON max 1/100
-CCC	custom

-WW2 Varianti coperture Lampada Lamps cover variants	
-T <small>STANDARD</small>	Copertura Trasparente 5mm Transparent cover 5mm
-OP	Copertura Opalina 5mm Opal 5mm
-V	Vetro pirex 5mm pyrex glass 5mm

-WW3 Collegamento alimentazione per versione Supply connexion for version	
- <small>STANDARD</small>	Versione standard cavo 2 poli 2mt 2mt 2-poles cable standard version
-M8	Versioni -M8 conn. M8 3 poli Maschio cavo 20cm -M8 versions M8 3-poles 20 cm male conn
-M12	Versioni -M12 conn. M12 5 poli Maschio cavo 20cm -M12 versions M12 5-poles 20 cm male conn
-S	Ver. -S (pin di Start/Strobe/Dimmer) corr. pil. max 10mA, cavo 3 poli 2mt
-M8S	Ver. -M8S (pin di Start/Strobe/Dimmer) corr. pil. max 10mA, M8 3 poli M 20cm
-M12S	Ver. -M12S (pin di Start/Strobe/Dimmer) corr. pil. max 10mA, M12 5 poli Maschio 20cm
-5M	cavo 2 poli 5mt / 5mt 2 poles cable
-5MS	cavo 3 poli 5mt / 5mt 3 poles cable
-WW	Versioni custom Custom versions

GEMHR18-6K-T



GEMHR50-6K-T

